

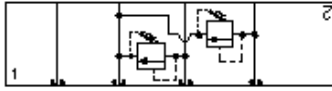
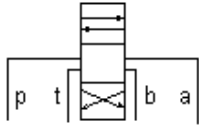


MODELO  
**FBX**

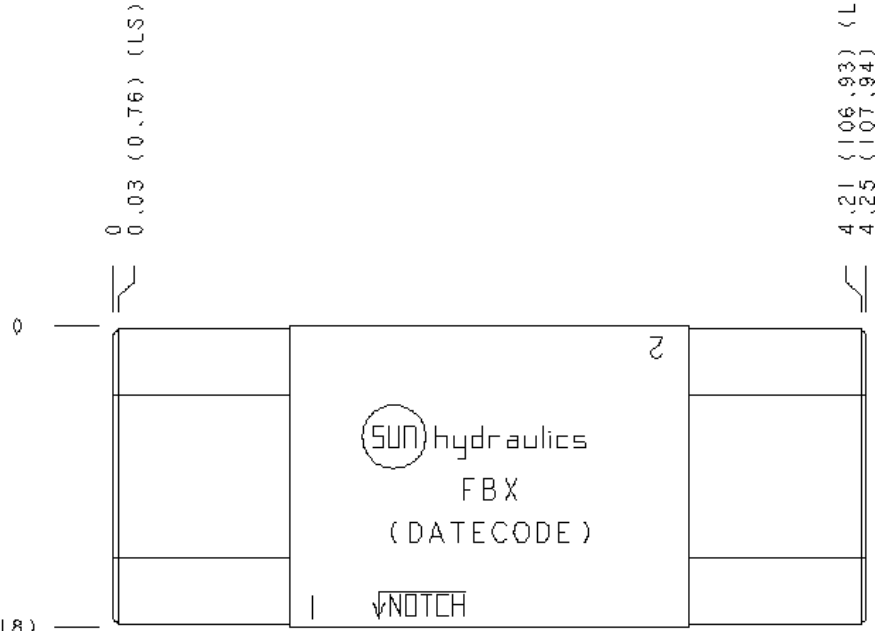
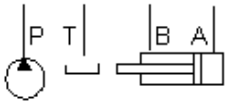
ISO 03: A and B to T  
**CAVIDAD: T-10A**



sunhydraulics.com/model/**FBX**



Relief, A and B to T High Capacity



**TECHNICAL DATA**

Body Type	aplilables
Interface	ISO 03
Body Features	A and B to T
Stack Height	44,5 mm
Open Cavities	2
cavidad	T-10A
Model Weight	0.44 kg.

**NOTES**

**Important:** Carefully consider the maximum system pressure. The pressure rating of the manifold is dependent on the manifold material, with the port type/size a secondary consideration. Manifolds constructed of aluminum are not rated for pressures higher than 3000 psi (210 bar), regardless of the port type/size specified.

**INCLUDED COMPONENTS**

Part	Descripción	Quantity
500-001-012	O-Ring	4
700-002	Seal Plate	1
811-001-006	Pin	1

**CONFIGURATION OPTIONS**

**Model Code Example: FBX**

**MODIFIER**

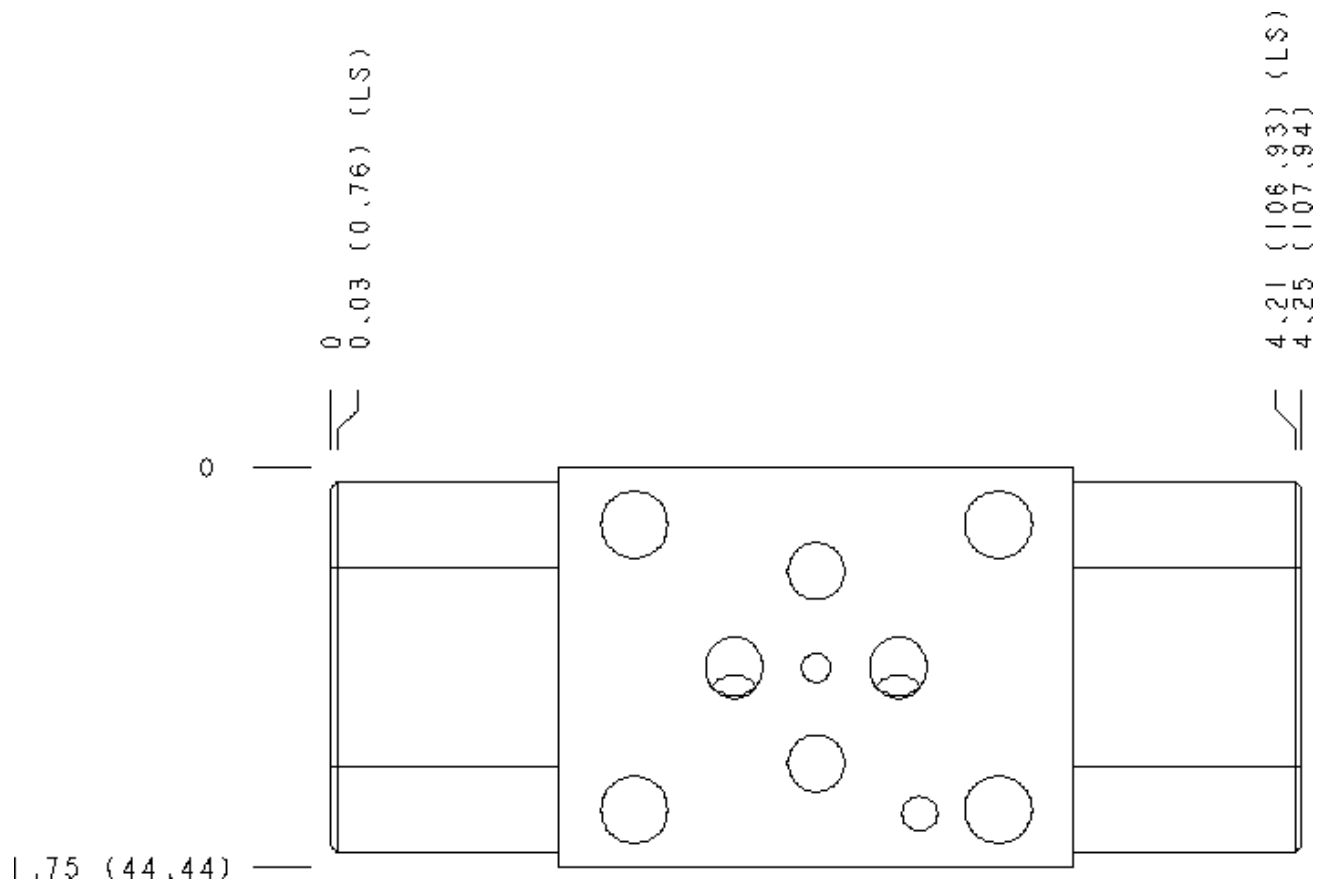
- 6061-T651 Aluminum, Buna-N**
- /11** 6061-T651 Aluminum, Buna-N, Clear Anodize - Per MIL SPEC 8625F Type II, Class I
- /10** 6061-T651 Aluminum, Buna-N, Black Anodize - Per MIL SPEC 8625F Type II, Class II
- /V** 6061-T651 Aluminum, Viton
- /16** 6061-T651 Aluminum, Viton, Clear Anodize - Per MIL SPEC 8625F Type II, Class I
- /15** 6061-T651 Aluminum, Viton, Black Anodize - Per MIL SPEC 8625F Type II, Class II
- /S** 65-45-12 Ductile Iron, Buna-N, Chem. Black
- /S3** 65-45-12 Ductile Iron, Buna-N, Trivalent Clear Zinc with Top Sealer
- /Y** 65-45-12 Ductile Iron, Viton, Chem. Black
- /Y3** 65-45-12 Ductile Iron, Viton, Trivalent Clear Zinc with Top Sealer

**MANIFOLD FACES**

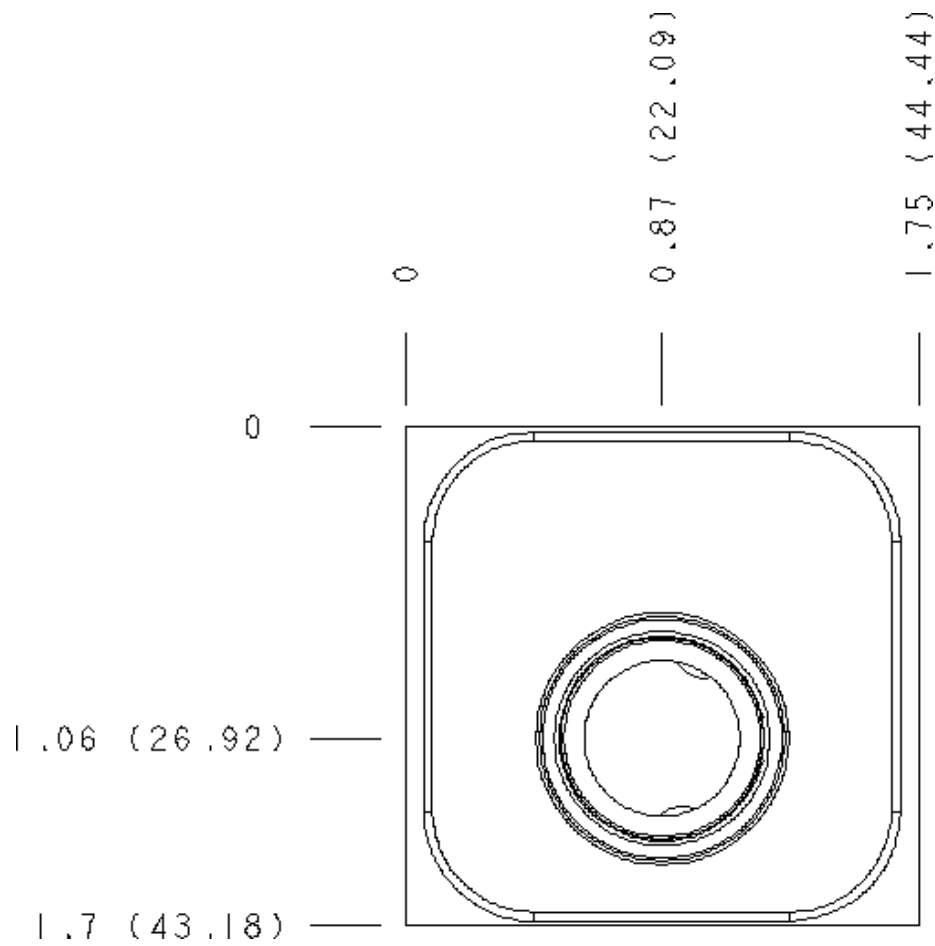
**FACE GRID**

1	2	3	4
5	6	7	8
9	10	11	12

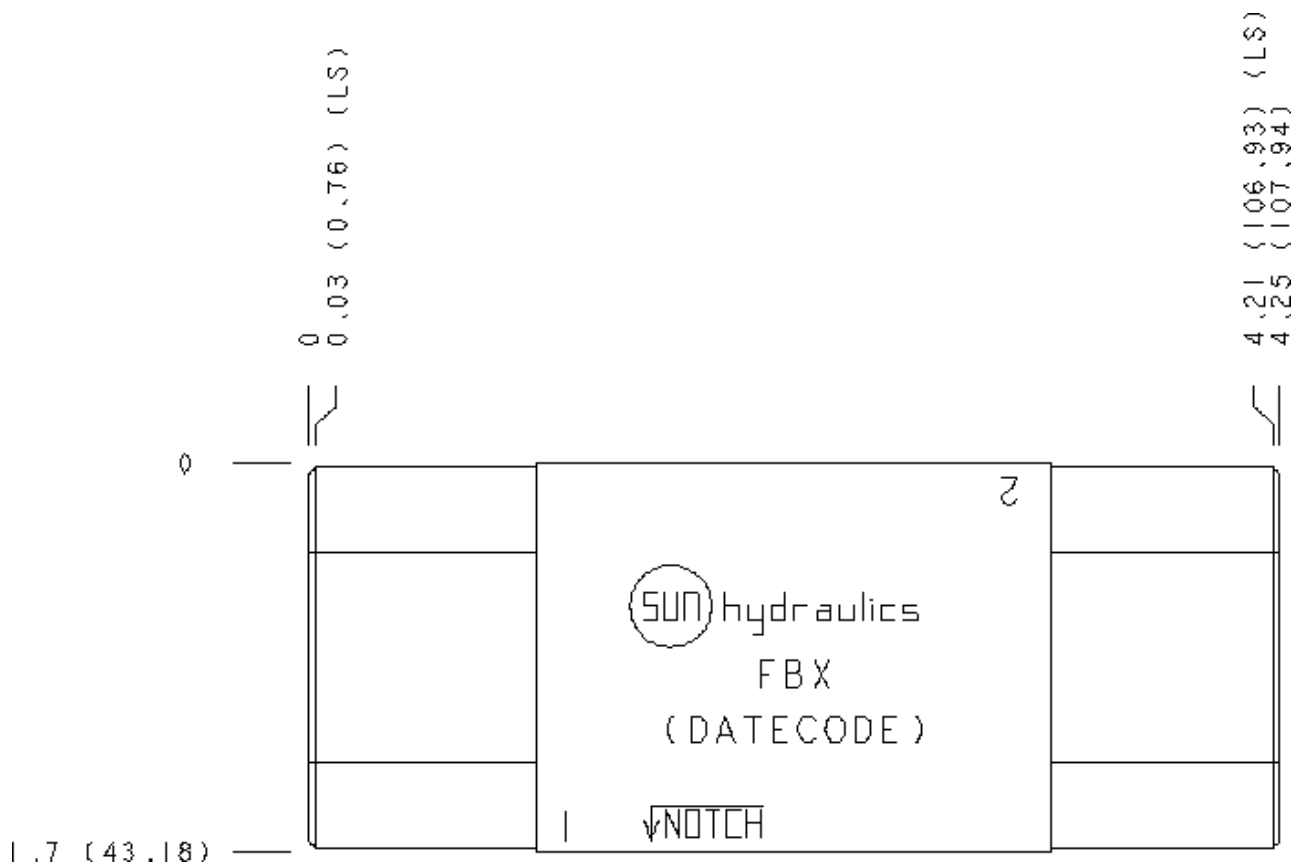
Face 2



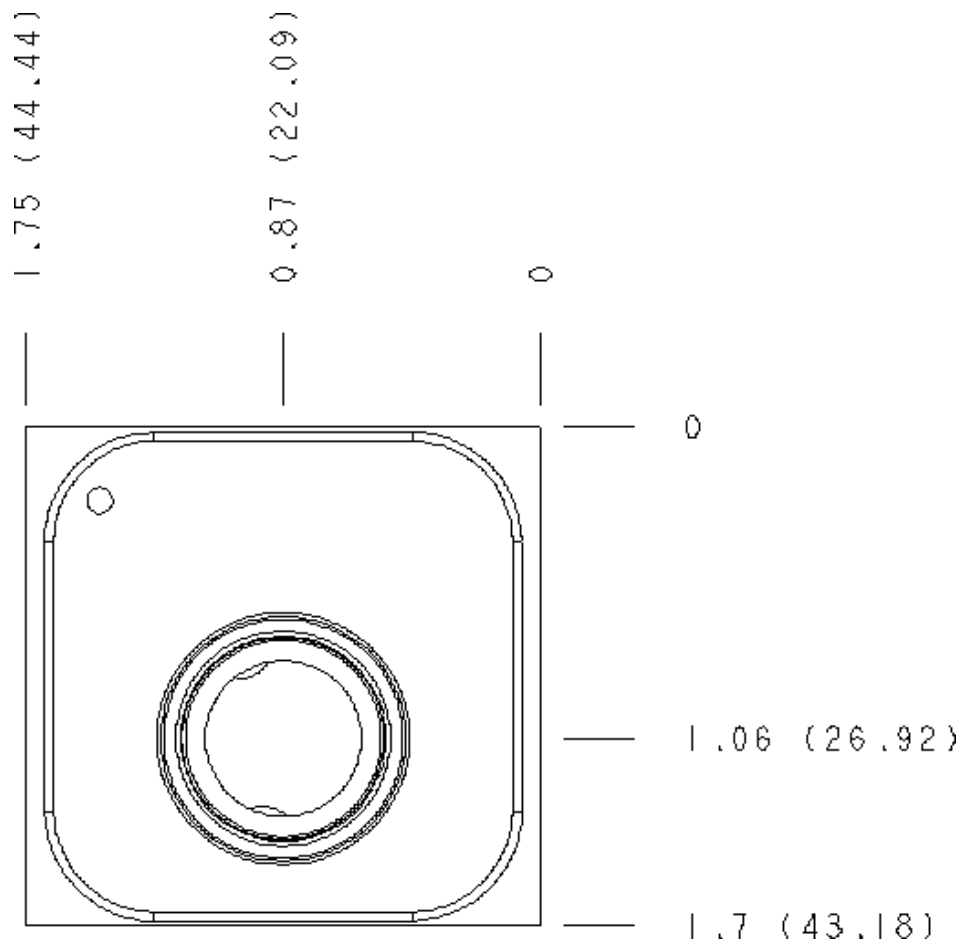
Face 5



Face 6



Face 7



Face 10

